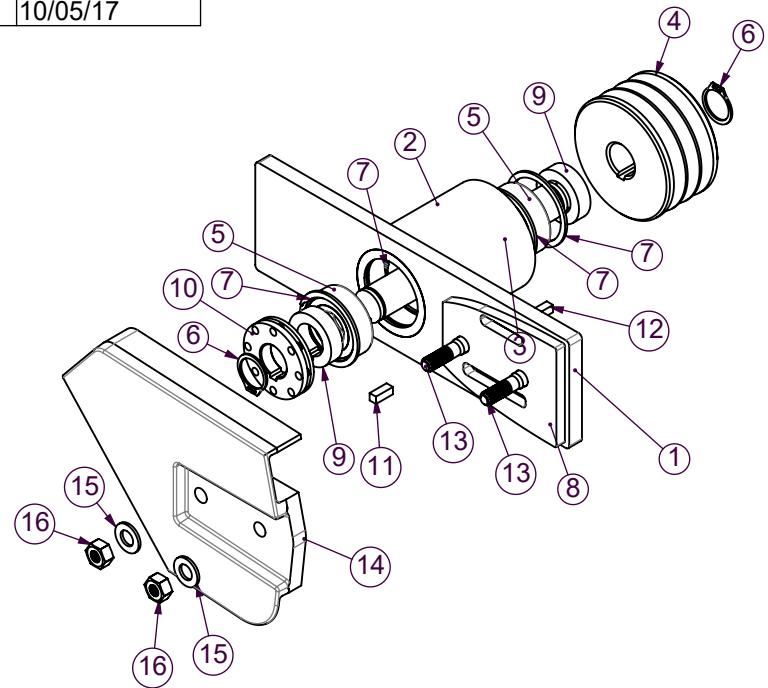
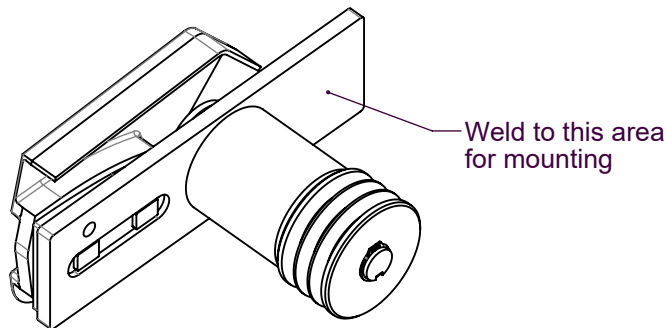


BAR CONTACT SURFACE



ITEM NO.	QTY.	PART NO.	DESCRIPTION
1	1	DH0532	BELT DRIVE BAR PLATE
2	1	DH0534	BEARING TUBE
3	1	DH0537	DRIVE SHAFT
4	1	DH0539	DRIVEN SHEAVE, 2.8" OD
5	2	B62RB3	BALL BEARING, 6203-12-2RS
6	2	FRS075	.750 ø SHAFT, RETAINING RING
7	4	FRI156	SPIRAL RETAINING RING, WSM-156
8	1	DH0533	HUSQVARNA BAR SPACER
9	2	DH0543	SHAFT SPACER
10	1	DS0208	8T404STR SPROCKET
11	1	FKS048	3/16 sq. X 1/2 KEY
12	1	FKS026	3/16 sq. X 1 KEY
13	2	DH0549	BAR STUD
14	1	DH0550	CHAIN BRAKE COVER, 537033501
15	2	FWZ10H	5/16 HT WASHER
16	2	FMN08CP	M8 X 1.25 NUT

NOTES & INFORMATION

APPROVALS	
DRAWN	ED
CHECKED	
WEIGHT:	8.906 lbs.

THE INFORMATION CONTAINED IN THIS DRAWING IS THE SOLE PROPERTY OF 6K Products. REPRODUCTION IN PART OR WHOLE WITHOUT WRITTEN PERMISSION OF Ed Danzer IS PROHIBITED.

DO NOT SCALE DRAWING

UNLESS OTHERWISE SPECIFIED: DIMENSIONS ARE IN INCHES. TOLERANCES ARE: ANGLES FRACTIONS DECIMAL ± .5° ± 1/16 X ± .032 XX ± .015 XXX ± .002

Sheet 1 of 1

6K Products

1006 143rd AVE. S.E.
TENINO, WA 98589
PHONE: (360) 264-7570
FAX: (360) 264-5105