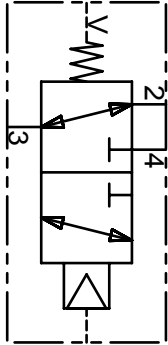


6KProducts

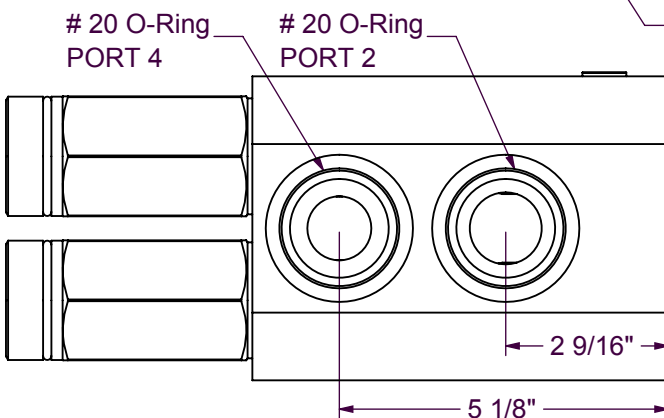
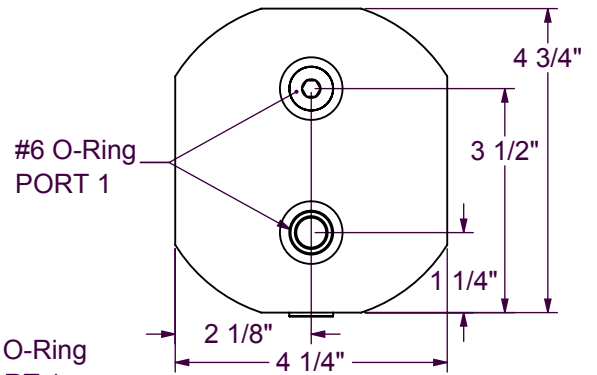
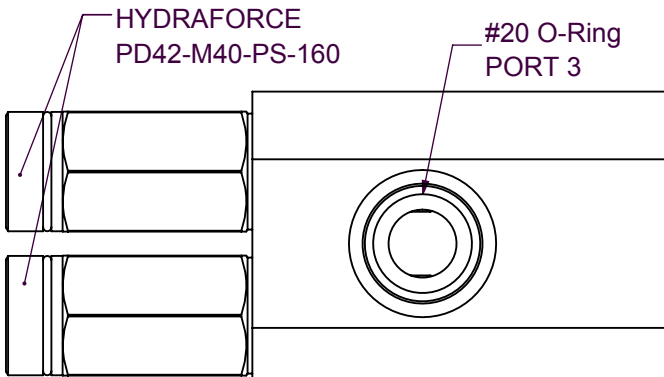
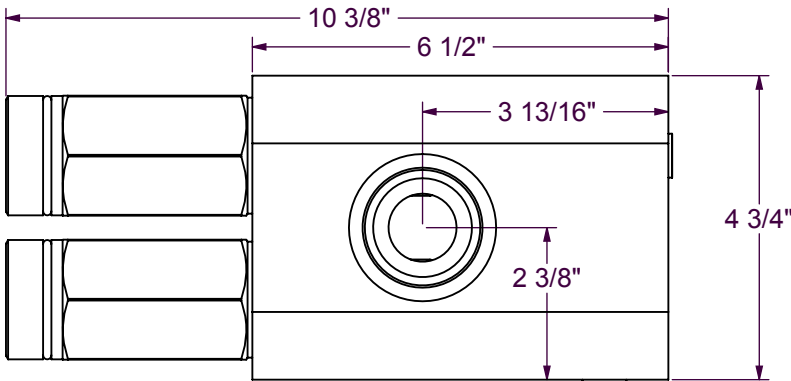
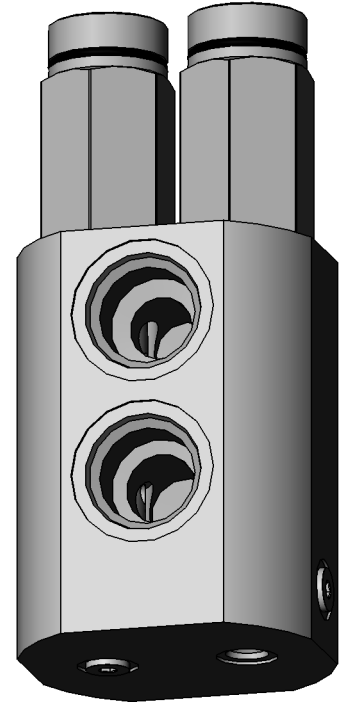
Bringing reliability to high pressure hydraulic systems

DP0007

100 GPM 5000 PSI 3 PORT DIVERTER ASSEMBLY



This valve assembly can be used to add an auxiliary circuit to an existing system or allow another operation to be done with an existing circuit. Two units are required for bi-directional circuits. Port 3 is in coming flow, port 2 is flow out and port 4 is blocked when there is no pilot pressure. Port 3 flows to port 4 and port 2 is blocked when there is a minimum of 250 psi pilot pressure at port 1. This is a 5,000 psi rated assembly.



Specification subject to change without notice.