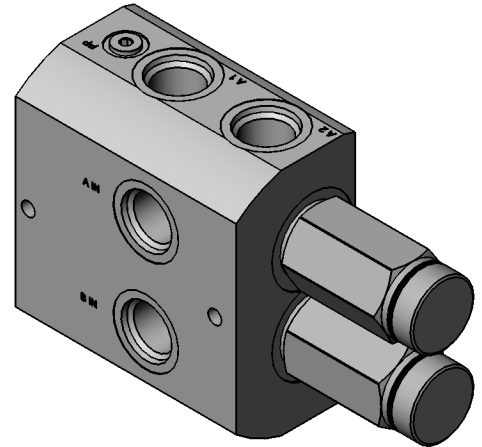
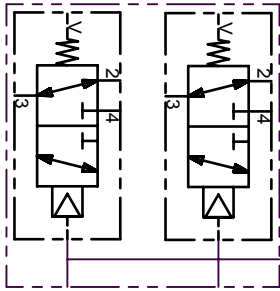


6KProducts

Bringing reliability to high pressure hydraulic systems

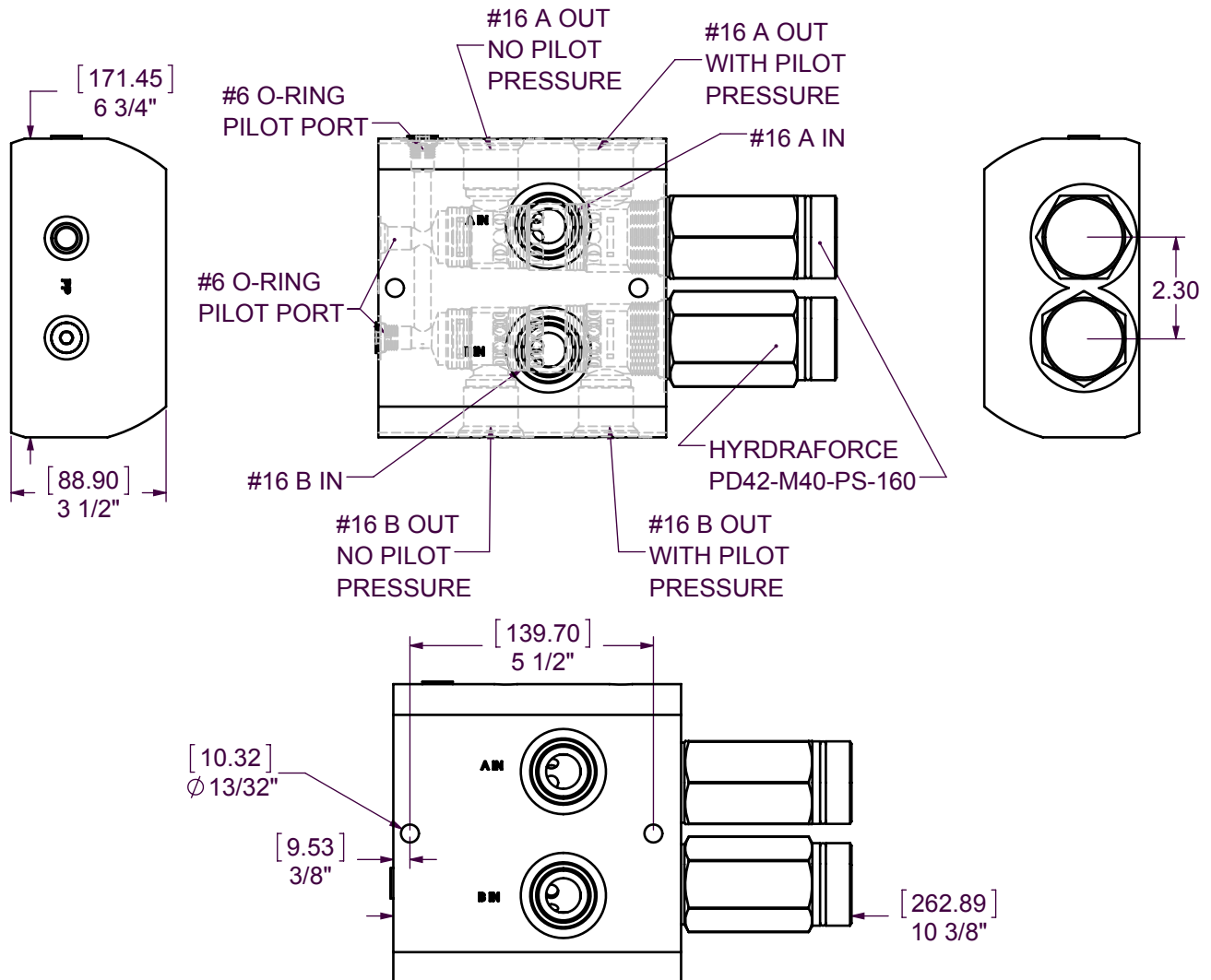
DP0031

60 GPM DOUBLE DIVERTER



60 GPM, 5,000 PSI 6 PORT 2 POSITION PILOT OPERATED DIVERTER VALVE ASSEMBLY WITH #16 O-RING FUNCTION PORTS AND #6 O-RING PILOT PORTS.

In the neutral position, no pilot pressure, oil will flow bi-directionally from the from A IN and B IN ports to the A1 and B1 ports with the A2 and B2 ports blocked. When piloted, oil will flow bi-directionally from the from A IN and B IN ports to the A2 and B2 ports with the A1 and B1 ports blocked.



Specification subject to change without notice.