

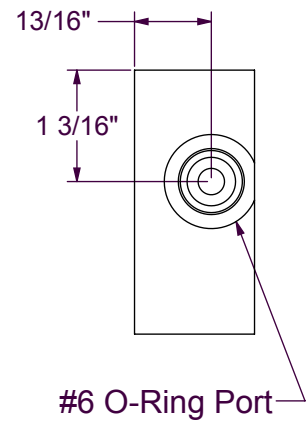
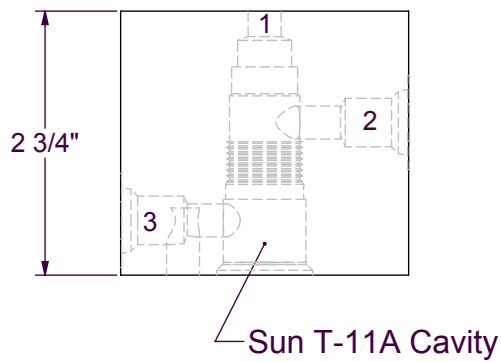
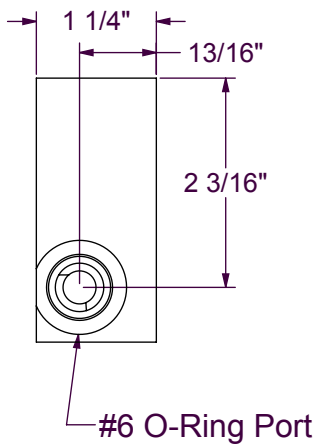
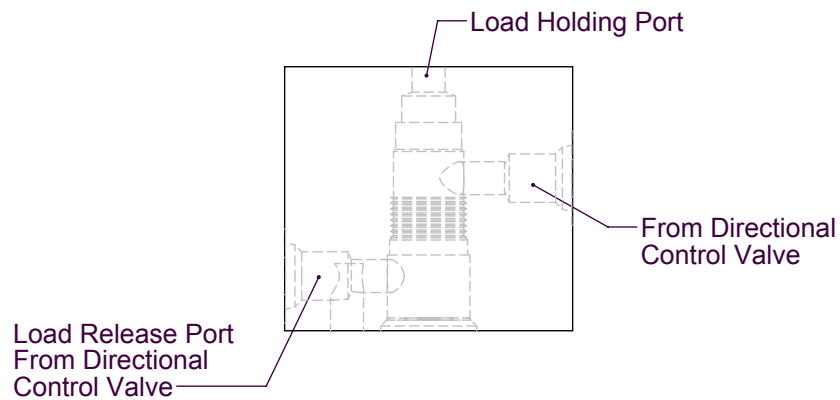
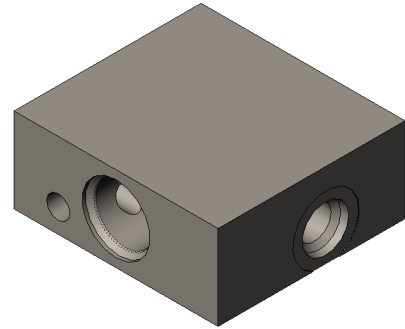
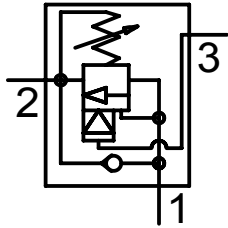
6KProducts

Bringing reliability to high pressure hydraulic systems

DP0032

One Direction T-11A Load Holding Body, #6 O-Ring Side Ported

Counterbalance Valve Symbol



Pilot Operated Check Valve Symbol

