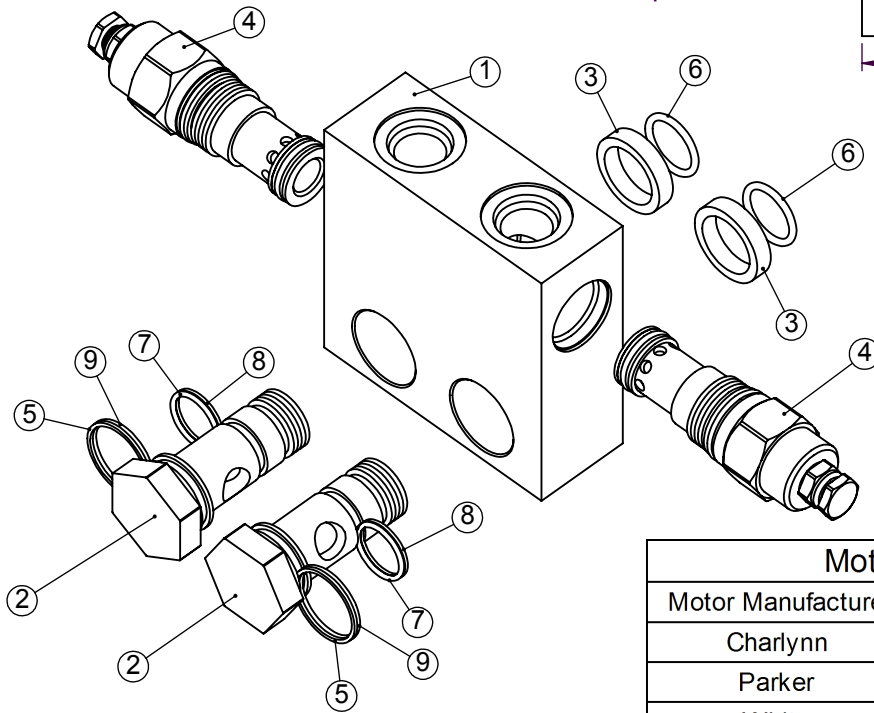
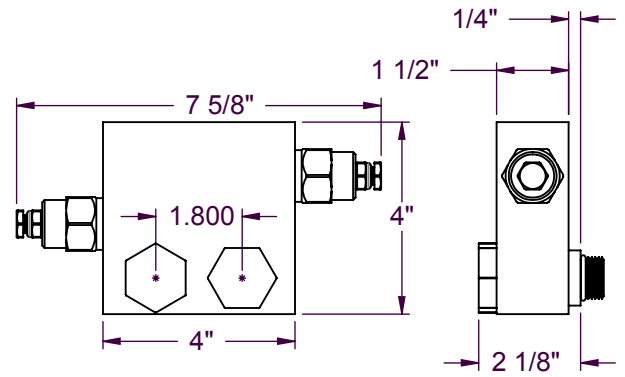
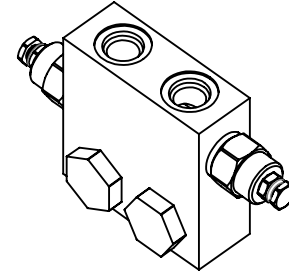
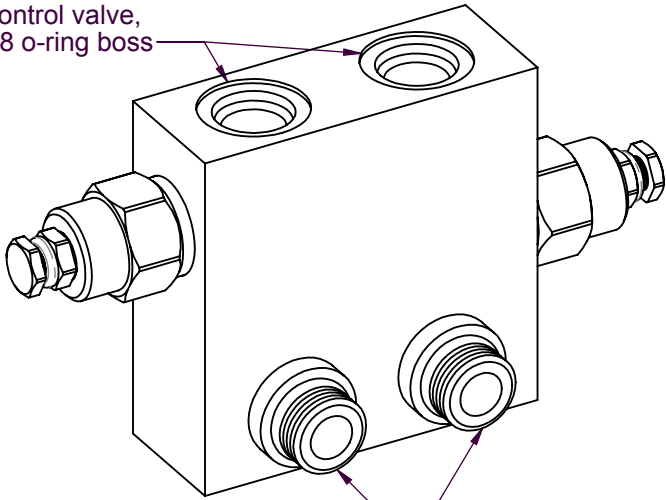


6KProducts

Bringing reliability to high pressure hydraulic systems

DPC000 CROSS PORT RELIEF, 40 GPM

From directional control valve, #8 o-ring boss



Motor Application Information

Motor Manufacture	Motor Models That This Unit May Fit
Charlynn	101, 103, and 158
Parker	ME, MB, TE, and TJ
White	RE
Danfoss	DS and DH
Dynamic	BMPH, BMRS

ITEM No.	QTY.	PART No.	DESCRIPTION	REMARKS
1	1	DPC001	CROSS PORT RELIEF BLOCK	
2	2	DPC002	RELIEF STUD	
3	2	DPC003	RELIEF WASHER	
4	2	VHSR15	CARTRIDGE VALVE, SUN RPGC-FAN	Set 1000 PSI Range 100-3000 PSI
5	2	SO8022	#8-022 BACK UP RING	
6	2	SO3910	#3-910 O-RING	
7	2	SO2018	#2-018 O-RING	
8	2	SO8018	#8-018 BACK UP RING	
9	2	SO2022	#2-022 O-RING	