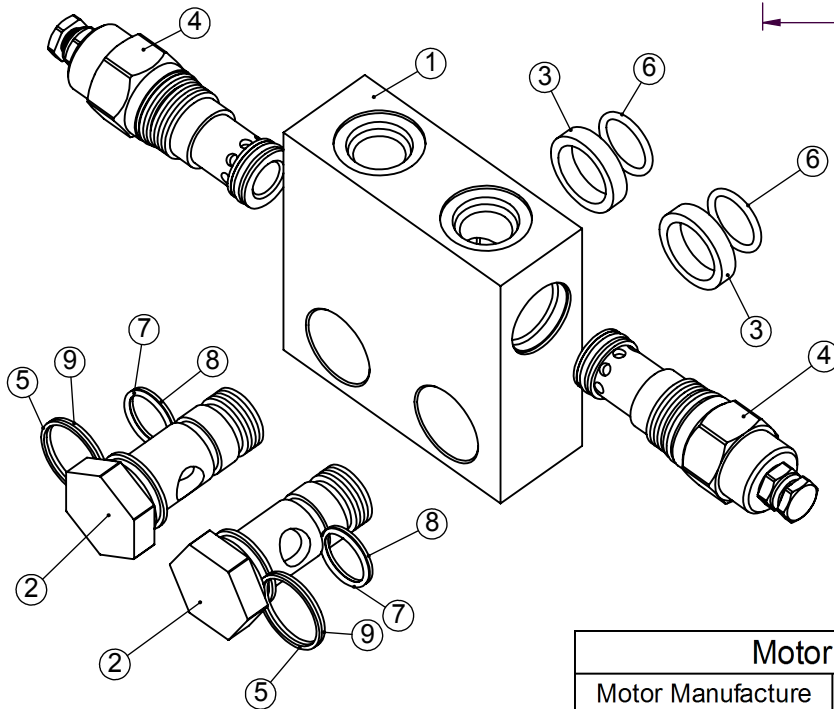
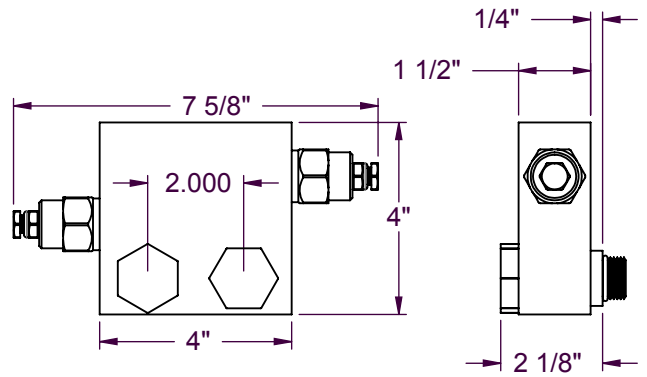
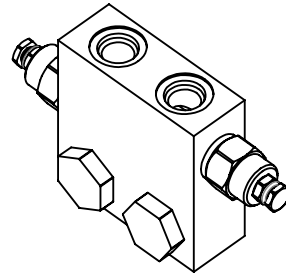
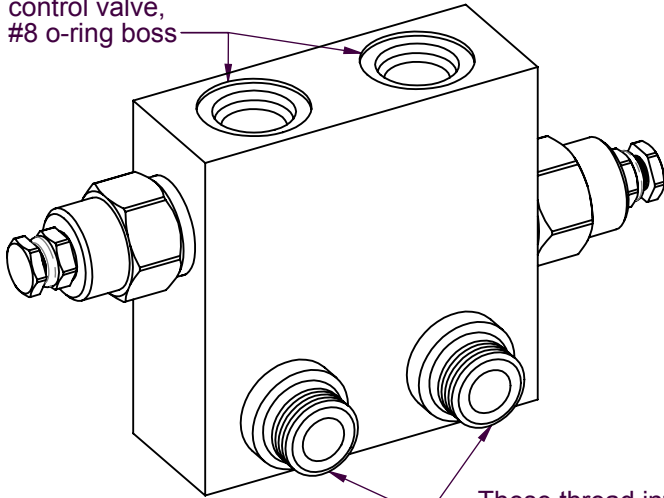


# 6KProducts

Bringing reliability to high pressure hydraulic systems

DPC007 CROSS PORT RELIEF, 40 GPM

From directional control valve, #8 o-ring boss



### Motor Application Information

|                   |  |
|-------------------|--|
| Motor Manufacture | Motor Models That This Unit May Fit      |
| Parker            | TJ, TF, TG TH, 110A (2" port separation) |

| ITEM No. | QTY. | PART No. | DESCRIPTION                   | REMARKS                         |
|----------|------|----------|-------------------------------|---------------------------------|
| 1        | 1    | DPC008   | CROSS PORT RELIEF BLOCK       |                                 |
| 2        | 2    | DPC002   | RELIEF STUD                   |                                 |
| 3        | 2    | DPC003   | RELIEF WASHER                 |                                 |
| 4        | 2    | VHSR15   | CARTRIDGE VALVE, SUN RPGC-FAN | Set 1000 PSI Range 100-3000 PSI |
| 5        | 2    | SO8022   | #8-022 BACK UP RING           |                                 |
| 6        | 2    | SO3910   | #3-910 O-RING                 |                                 |
| 7        | 2    | SO2018   | #2-018 O-RING                 |                                 |
| 8        | 2    | SO8018   | #8-018 BACK UP RING           |                                 |
| 9        | 2    | SO2022   | #2-022 O-RING                 |                                 |