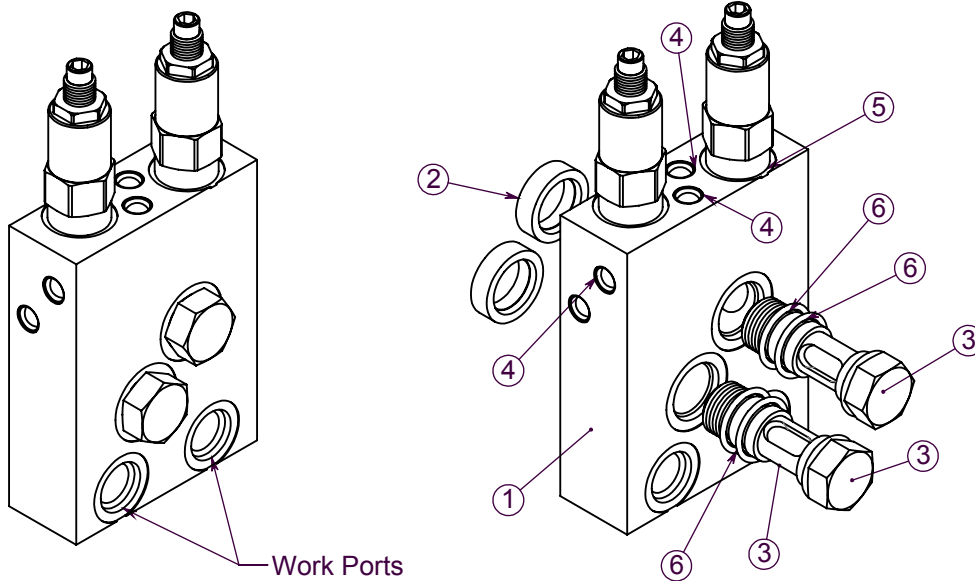
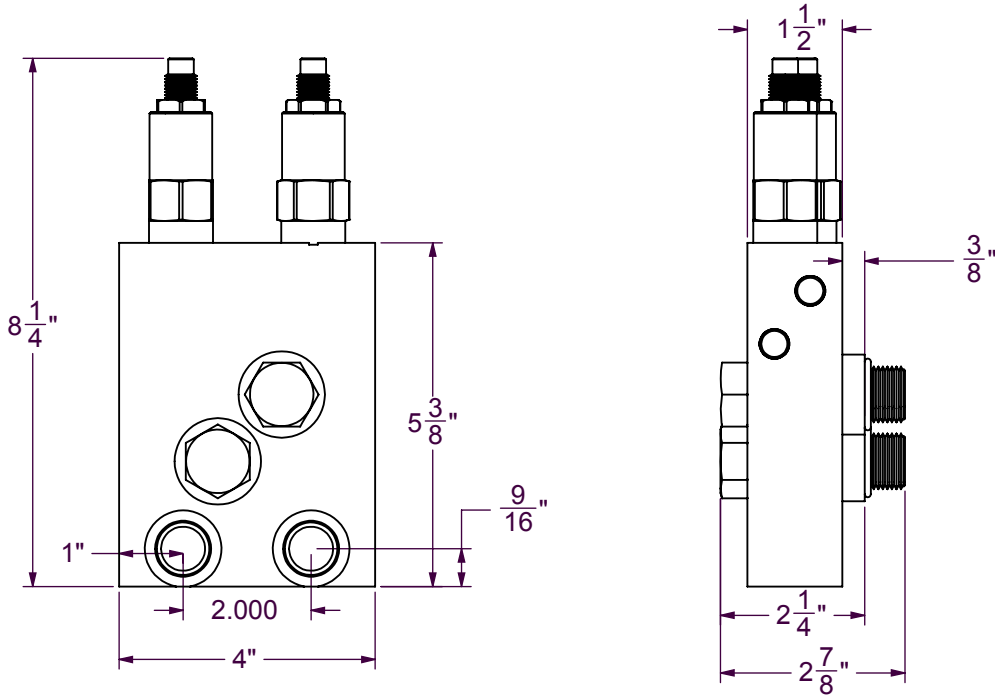


# 6KProducts

Bringing reliability to high pressure hydraulic systems

DPC009

2000 CROSS PORT RELIEF ASSEMBLY, 30 GPM



### Motor Application Information

Motor Manufacture	Motor Models That This Unit May Fit
Charlynn	2000 Series Staggered Ports

ITEM No.	QTY.	PART No.	DESCRIPTION	REMARKS
1	1	DPC010	2000 CROSS PORT RELIEF BODY	
2	2	DPC015	SEAL WASHER	
3	2	DPC013	PORT STUD	
4	6	XH0005	15/32" EXPANSION PLUG	
5	2	VHH074	CARTRIDGE VALVE, HydraForce RV10-22A-0-N-35/15	Set 1500 PSI Range 250-3500 PSI
6	6	SO9912	9-912 O-RING	