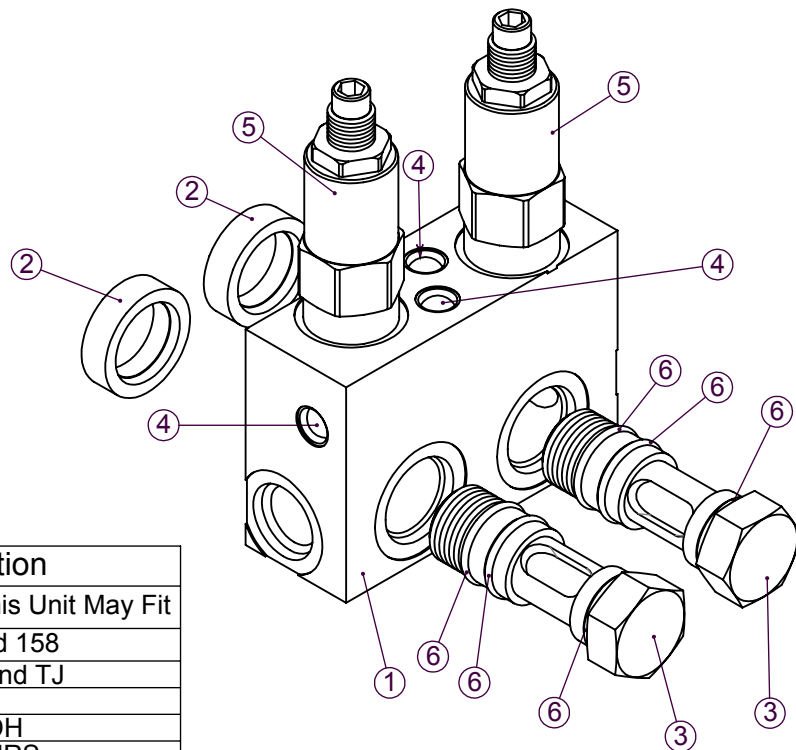
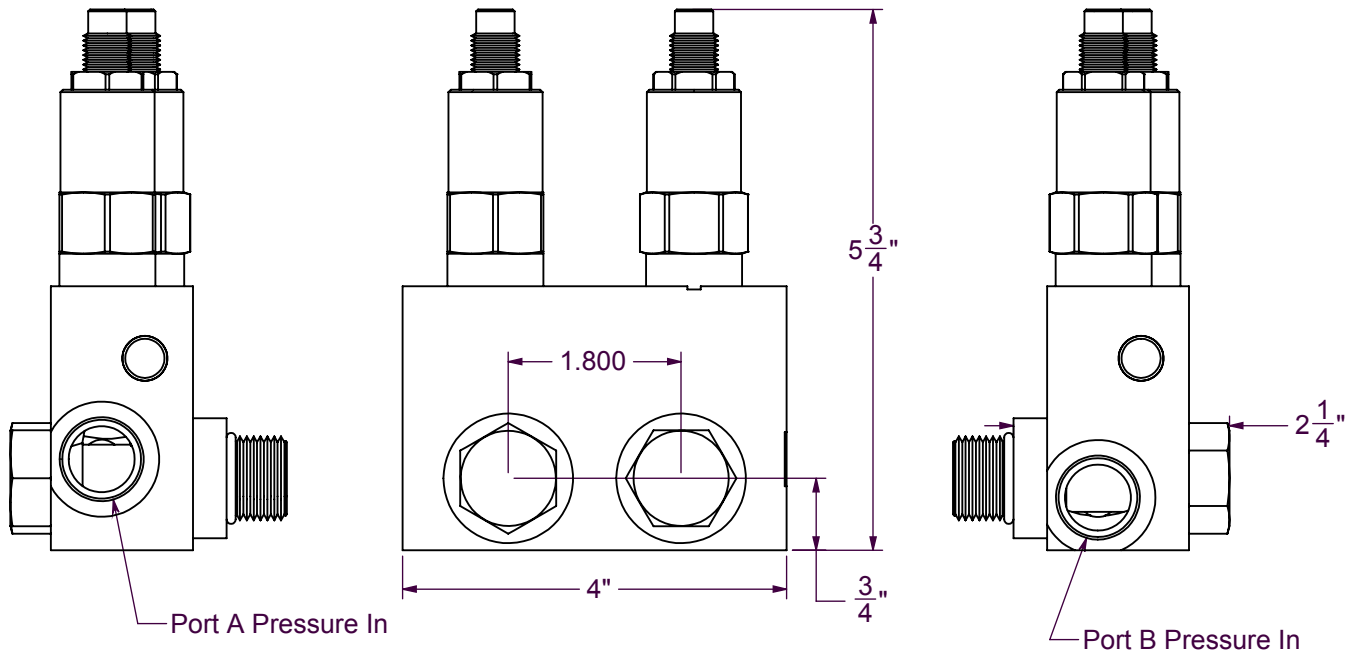


6KProducts

Bringing reliability to high pressure hydraulic systems

DPC014 H&S CROSS PORT RELIEF ASSEMBLY, 30 GPM



Motor Application information

Motor Manufacture	Motor Models That This Unit May Fit
Charlynn	101, 103 and 158
Parker	ME,MB,TE and TJ
White	HS
Danfoss	DS and DH
Dynamic	BMPH, BMRS

ITEM No.	QTY.	PART No.	DESCRIPTION	REMARKS
1	1	DPC012	H&S CROSS PORT RELIEF BODY	
2	2	DPC015	SEAL WASHER	
3	2	DPC013	PORT STUD	
4	4	XH0005	15/32" EXPANSION PLUG	
5	2	VHH074	CARTRIDGE VALVE, HydraForce RV10-22A-0-N-35/15	Set 1500 PSI Range 250-2500 PSI
6	6	SO9910	9-910 O-RING	