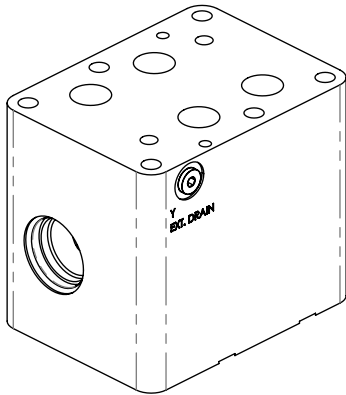


# 6KProducts

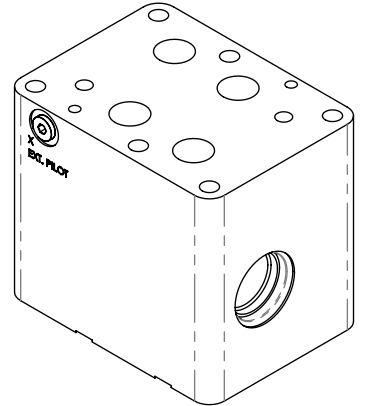
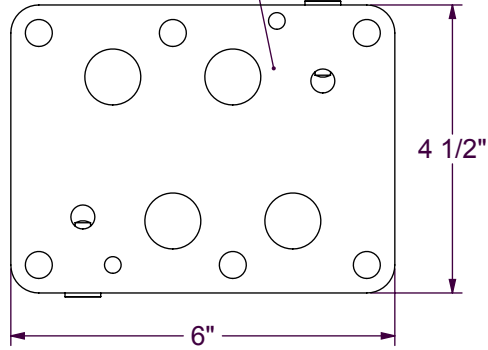
Bringing reliability to high pressure hydraulic systems

DPC016

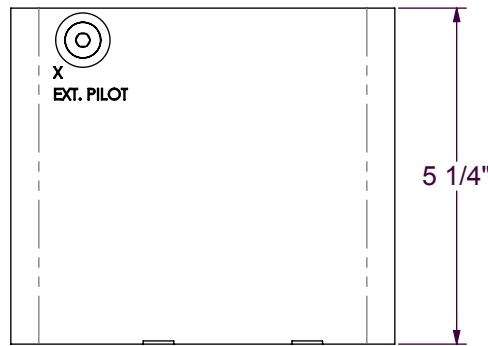
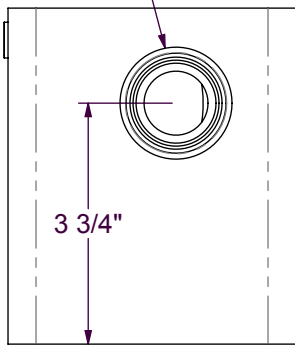
D08 HIGH CAPACITY CROSS PORT RELIEF ASSEMBLY



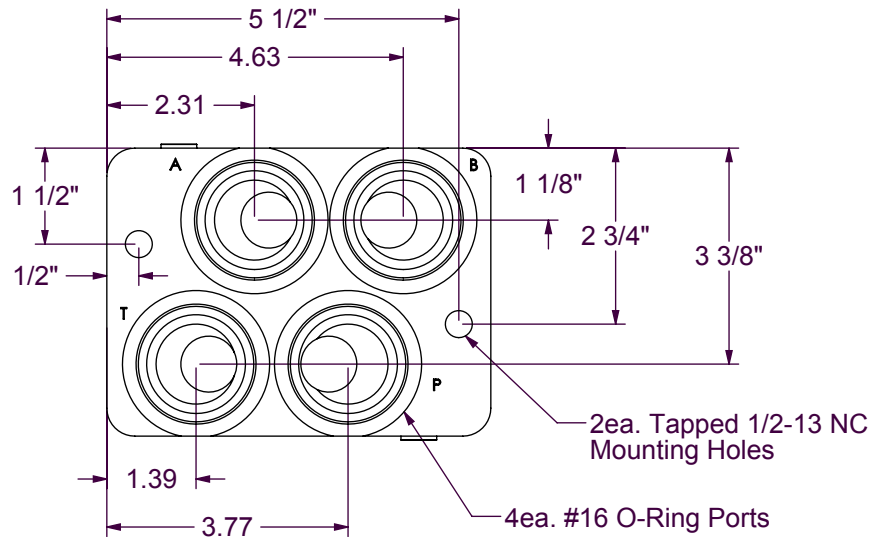
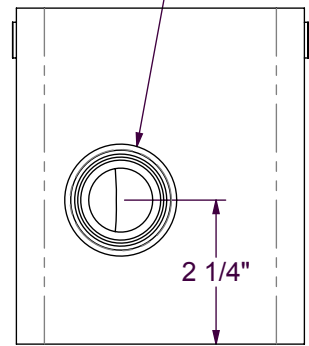
ISO D08 Valve Mounting



Sun T-16A Cavity



Sun T-16A Cavity



ITEM No.	QTY.	PART No.	DESCRIPTION	REMARKS
1	1	DP0024	D08 SANDWICH BLOCK	
2	2	HH0368	COUNTERSUNK O-RING PLUG, 714CS-4	
*	2		Sun Pressure Relief Valve, T-16A Cavity	Several Types and Setting Available