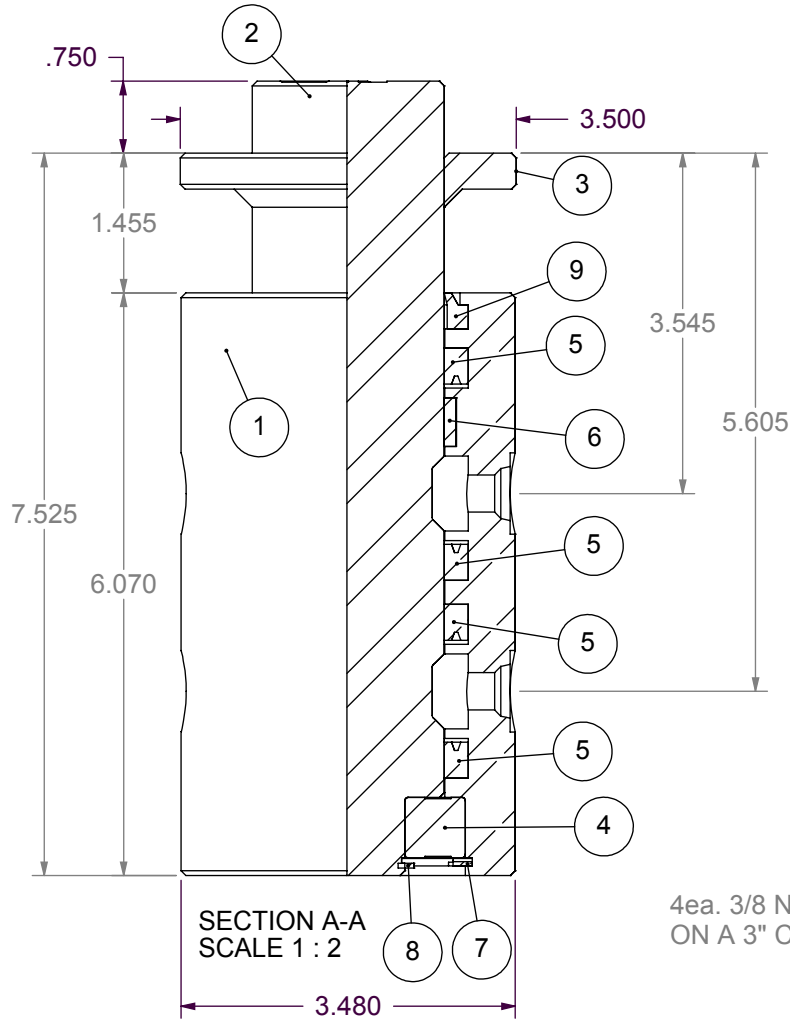


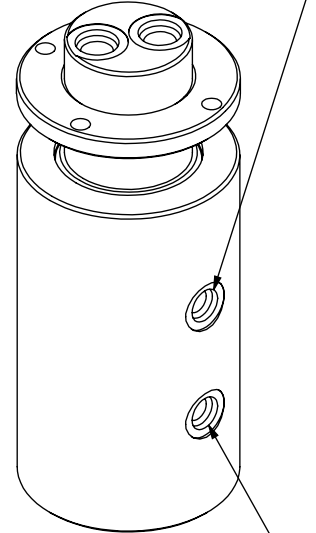
RA0001

206-404 ROTARY UNION



SECTION A-A
SCALE 1 : 2

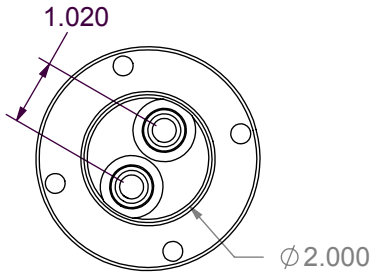
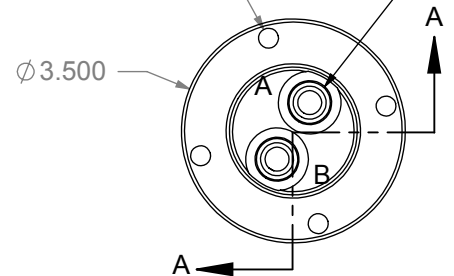
A, 2ea. #4 O-RING
PORTS 180° APART



B, 2ea. #4 O-RING
PORTS 180° APART

2ea. #6 O-RING PORTS

4ea. 3/8 NC TAPPED HOLES
ON A 3" CIRCLE.



ITEM NO.	QTY.	PART NO.	DESCRIPTION
1	1	RB1122	BARREL, 206-404
2	1	RS1132	SPOOL, 206-XXX
3	1	RF1101	FLANGE, 206-XXX
4	1	B62R06	BALL BEARING, 6206-2RS
5	4	SU0119	2 X 2 1/2 X 3/8 U-SEAL
6	1	SRS018	2-1/4" X 2" X 1/2" STEP CUT WEAR RING
7	1	FRE244	SPIRAL RETAINING RING, WHM-244
8	1	FRA118	1.188 ø SHAFT, RETAINING RING
9	1	SWD013	2" D-WIPER