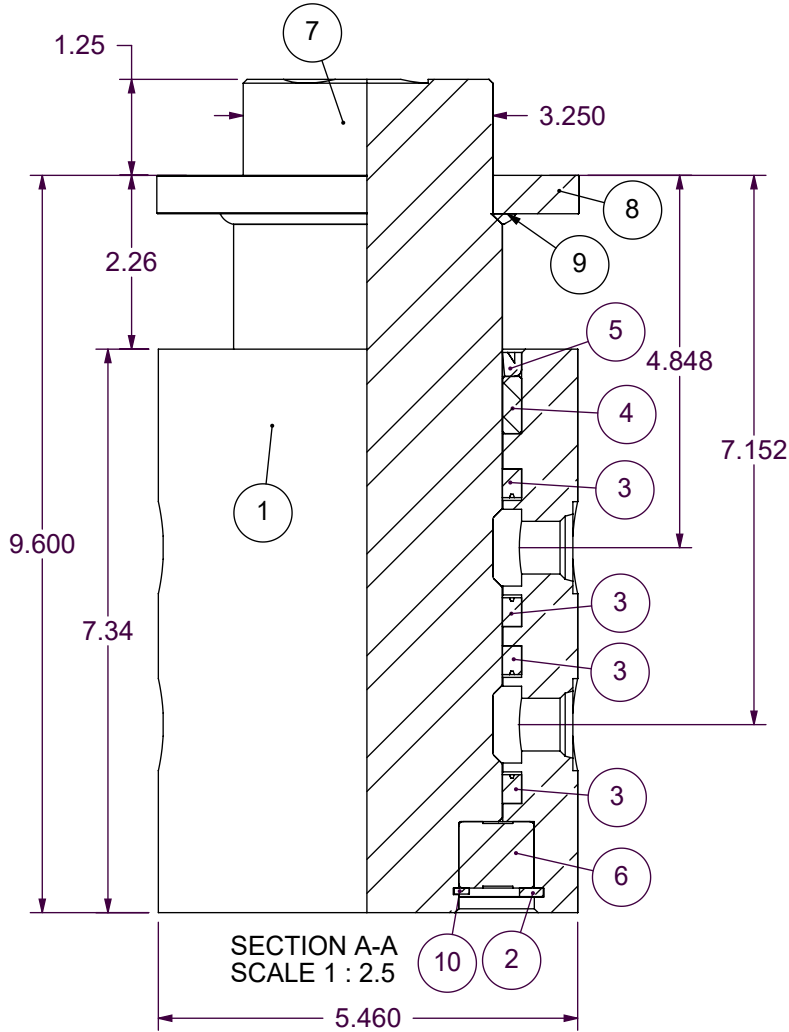


# 6K Products

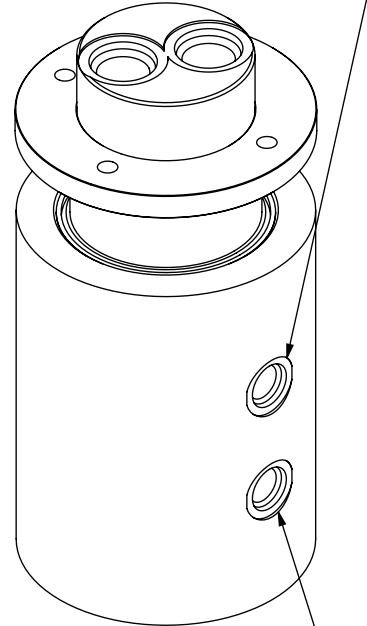
Bringing reliability to high pressure hydraulic systems

RA0003

212-408 ROTARY UNION

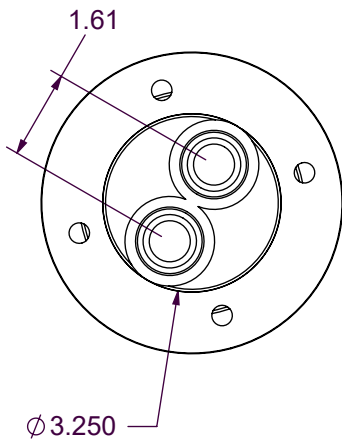
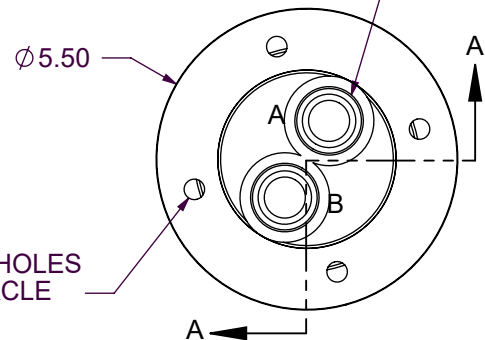


2ea. #8 O-RING  
PORTS 180° APART



2ea. #8 O-RING  
PORTS 180° APART

2ea. #8 O-RING PORTS



ITEM NO.	QTY.	PART NO.	DESCRIPTION
1	1	RB1108	BARREL
2	1	FRI433	SPIRAL RETAINING RING, WHM-433
3	4	SU0217	3 1/2 X 4 X 3/8 U-SEAL
4	1	BP0103	PLASTIC BUSHING
5	1	SS0059	3 1/2 X 4 X 5/16 ROD SCRAPER
6	1	B62R12	BALL BEARING, 6212-2RS
7	1	RS1106	SPOOL
8	1	RF1110	FLANGE
9	1	RS1107	WELD FLANGE TO SPOOL
10	1	FRS237	SPIRAL RETAINING RING, WSM-237