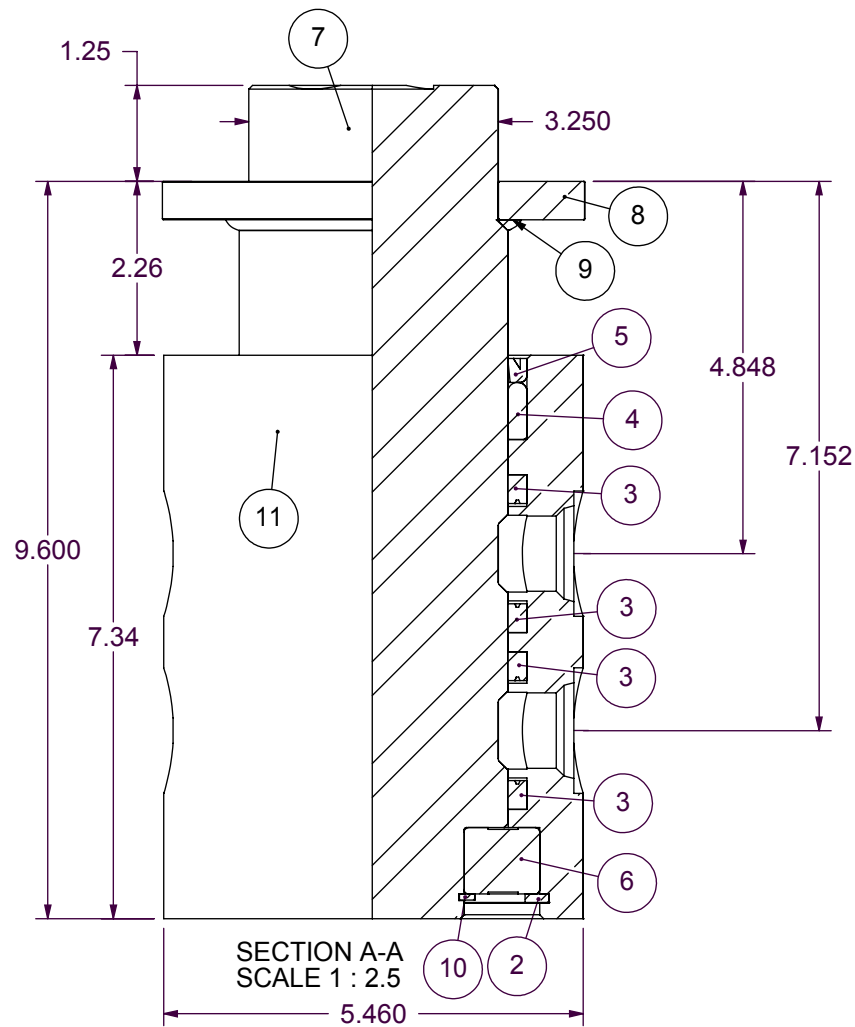
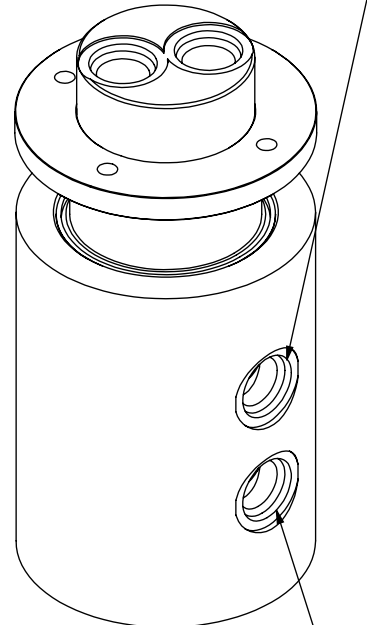


RA0006

212-412 ROTARY UNION

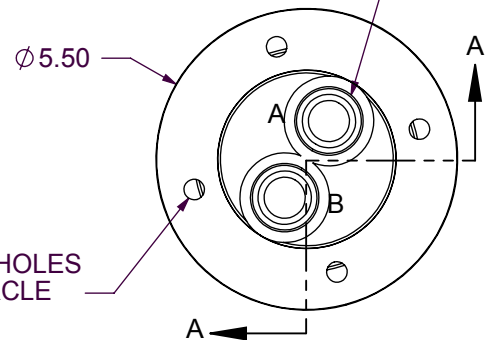


2ea. #12 O-RING  
PORTS 180° APART

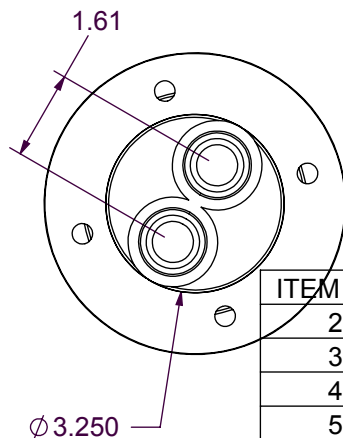


2ea. #12 O-RING  
PORTS 180° APART

2ea. #8 O-RING PORTS



4ea. 3/8 NC TAPPED HOLES  
ON A 4 1/4" BOLT CIRCLE



ITEM NO.	QTY.	PART NO.	DESCRIPTION
2	1	FRE433	SPIRAL RETAINING RING, WHM-433
3	4	SU0217	3 1/2 X 4 X 3/8 U-SEAL
4	1	BN0000	NEEDLE BEARING; TORRINGTON 5612D
5	1	SS0061	3 1/2" X 4" X 5/16" 79 ROD SCRAPER
6	1	B62R12	BALL BEARING, 6212-2RS
7	1	RS1106	SPOOL
8	1	RF1110	FLANGE
9	1	RS1107	WELD FLANGE TO SPOOL
10	1	FRB237	SPIRAL RETAINING RING, WSM-237
11	1	RB1109	BARREL